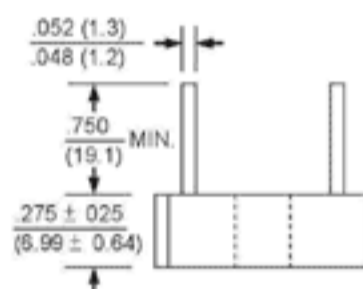
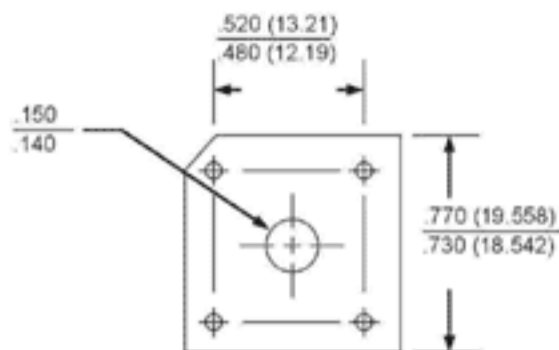


SILICON BRIDGE RECTIFIERS

REVERSE VOLTAGE - 50 to 1000 Volts
FORWARD CURRENT - 10.0 Amperes

FEATURES

- Surge overload rating - 200 amperes peak
- Low forward voltage drop
- Small size; simple installation
- Silver Plated Copper Leads
- Mounting Position: Any



Polarity shown on side of case;
positive lead by beveled corner.

Dimensions in inches and (millimeters)

MAXIMUM RATINGS AND ELECTRICAL CHARACTERISTICS

Rating at 25°C ambient temperature unless otherwise specified.

Single phase, half wave, 60Hz, resistive or inductive load.

For capacitive load, derate current by 20%

CHARACTERISTICS	BR1005	BR101	BR102	BR104	BR106	BR108	BR1010	UNIT
	KBPC 10005	KBPC 1001	KBPC 1002	KBPC 1004	KBPC 1006	KBPC 1008	KBPC 1010	
Maximum Recurrent Peak Reverse Voltage	50	100	200	400	600	800	1000	V
Maximum RMS Bridge Input Voltage	35	70	140	280	420	560	700	V
Maximum Average Forward Rectified Output Current at				10.0				A
$T_C=50^\circ\text{C}$				6.0				
$T_C=100^\circ\text{C}$ (Note 1)				6.0				
$T_A=50^\circ\text{C}$ (Note 2)				6.0				
Peak Forward Surge Current, 8.3ms single half sine-wave super imposed on rated load				200				A
Maximum Forward Voltage Drop per Bridge Element at 5.0A Peak				1.0				V
Maximum Reverse Current at Rated DC Blocking Voltage per Element				10.0				μA
$T_A=25^\circ\text{C}$				1.0				mA
$T_A=100^\circ\text{C}$								
Operating Temperature Range T_C				-40 to +125				$^\circ\text{C}$
Storage Temperature Range T_A				-40 to +125				$^\circ\text{C}$

NOTES: 1. Unit mounted on metal chassis

2. Unit mounted on P.C. board